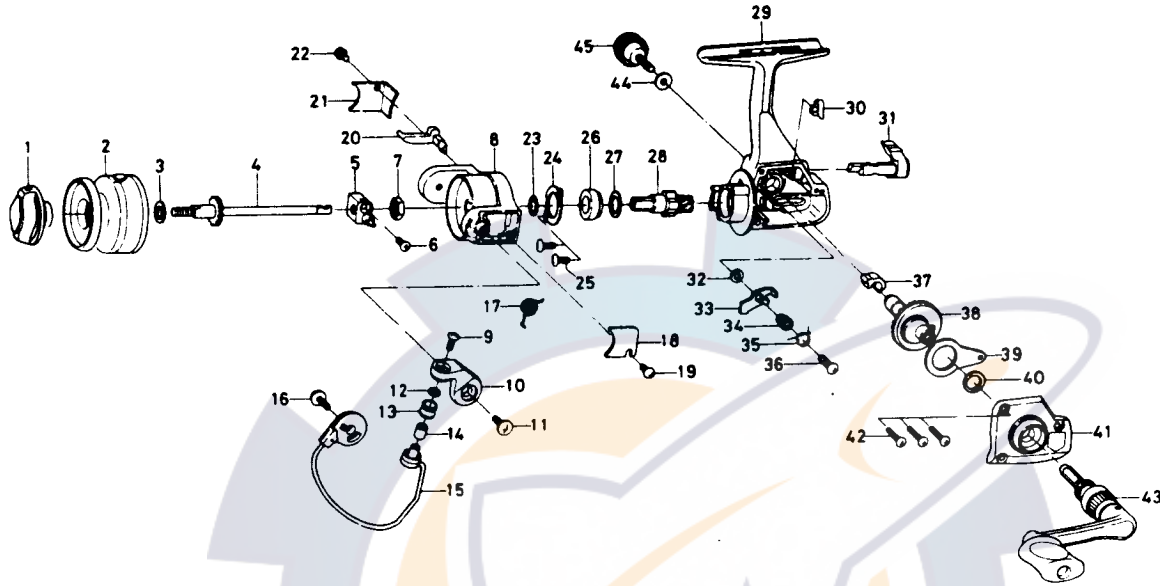




# SPINNING REEL AG500



Key No.	Parts No.	Parts Name	Key No.	Parts No.	Parts Name
1	K 15-4001	Drag knob	24	K 15-1401	Bearing retainer
2	K 15-3002	Spool assembly	25	B93-3001	Bearing retainer screw
3	K 15-2901	Spool washer	26	K 15-1301	Bushing
4	K 15-2301	Main shaft assembly	27	E03-4401	Pinion washer
5	K 15-4801	Oscillating support	28	K 15-0401	Pinion gear
6	K 15-6001	Oscillating support screw	29	K 15-0502	Body
7	342-4001	Rotor nut	30	K 15-0901	Anti-reverse cam spring
8	K 15-1502	Rotor	31	K 15-0802	Anti-reverse lever
9	352-2502	Line roller screw	32	E 15-3101	Anti-reverse pawl washer
10	K 15-1601	Bail arm	33	K 15-1001	Anti-reverse pawl
11	351-6102	Bail arm screw	34	E03-3001	Anti-reverse pawl collar
12	B55-4301	Line roller washer	35	K 15-1101	Anti-reverse pawl spring
13	250-3921	Line roller	36	B00-8601	Anti-reverse pawl screw
14	B45-1501	Line roller collar	37	K 15-2201	Drive gear collar
15	K 15-1902	Bail	38	K 15-0201	Drive gear
16	351-6102	Bail trip cam screw	39	K 15-2501	Oscillating slider
17	E32-0201	Bail spring	40	375-8501	Drive gear washer
18	K 15-4302	Bail spring cover	41	K 15-2602	Side cover
19	350-8913	Bail spring cover screw	42	E13-0501	Side cover screw
20	K 15-1701	Bail trip lever	43	E32-1301	Handle assembly
21	K 15-1802	Bail trip cover	44	B92-4901	Handle lock washer
22	350-8913	Bail trip cover screw	45	E03-5502	Handle lock screw
23	B 12-8701	Bearing washer			